

Features

- ◇ 0.56", 3½ digit high intensity display
- ◇ Available in red, blue or green
- ◇ User selectable decimal
- ◇ Polycarbonate case
- ◇ Optional Bezel Mount

Specifications

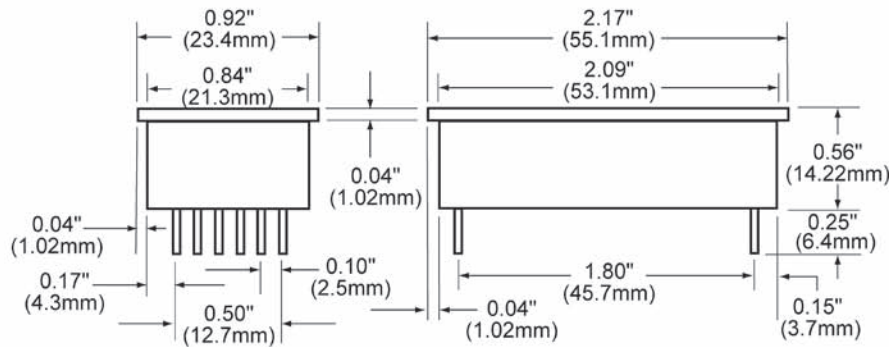
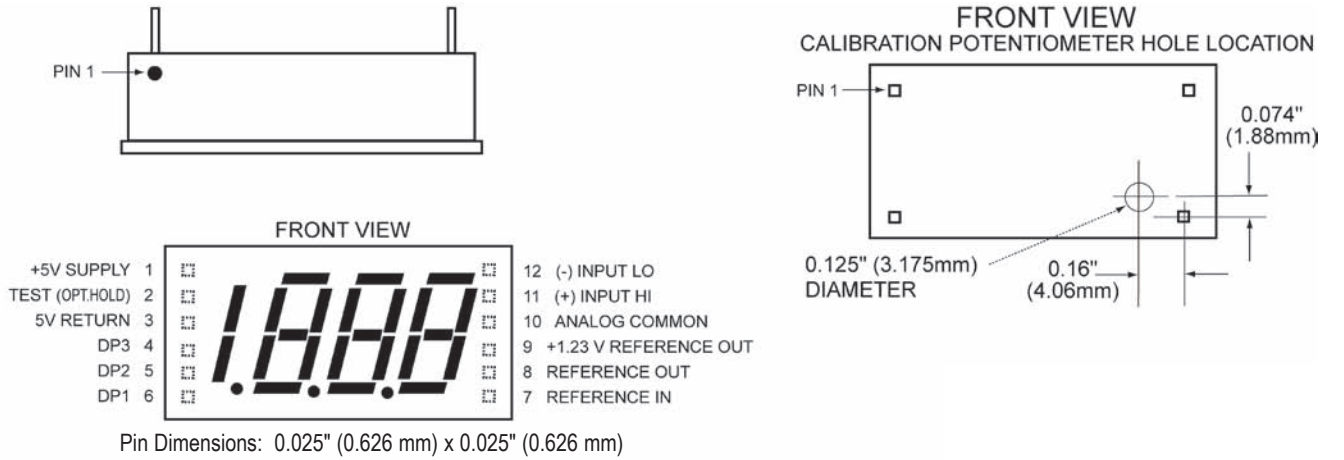
Supply voltage:	+5 VDC @ 40 mA
Input Ranges:	±200 mV, ± 2 V, ±20 V
Numeral Size:	.56" (14.27 mm)
Operating Temperature:	32° to 122°F (0-50°C)
Max Humidity:	95% (non-condensing)
Input Impedance:	1000 MΩ (200 mV) 1 MΩ (other ranges)
Polarity Indication:	automatic (-) for negative input
Overrange:	three lower order digits blank for inputs >1999 & < -1999
Accuracy:	±1% F.S. ± 2 counts
Common Mode Range:	± 1 VDC
Sampling Rate:	3 per second
Connections:	12 pin

Ordering Information

PART NUMBER	METER COLOR	METER INPUT
DLA-300BL	BLUE	200mV
DLA-301BL	BLUE	2V
DLA-302BL	BLUE	20V
DLA-300GL	GREEN	200mV
DLA-301GL	GREEN	2V
DLA-302GL	GREEN	20V
DLA-300HRL	RED	200mV
DLA-301HRL	RED	2V
DLA-302HRL	RED	20V
DLA-400HRL	RED with hold function	200mV
DLA-401HRL	RED with hold function	2V
DLA-402HRL	RED with hold function	20V

DLA-BEZ Bezel Assembly
 PW2-5..... Regulated 120V AC to 5V DC Power Supply

Dimensions



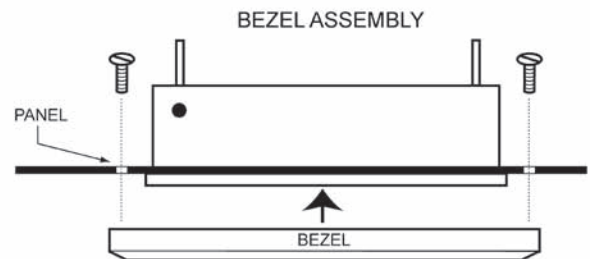
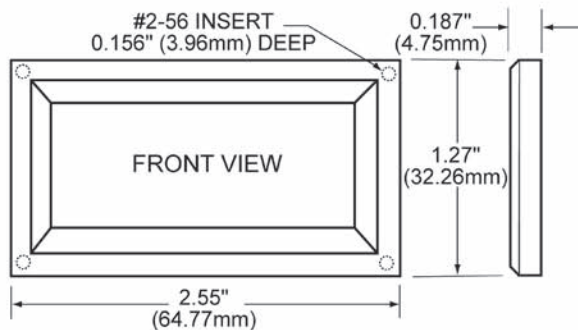
To enable DPs (Pin 4-6) connect to Pin 3 (5V return)

Pin 3 should be tied to Pin 12 for normal operation

Connect Pins 7 & 8

For hold option, connect Pin 2 to Pin 1 (+5V supply)

BEZEL ASSEMBLY



RECOMMENDED PANEL CUTOUT

