

EPIC SERIES



Features:

- ◇ Low-cost, high-performance replacement for many OEM DPMs
- ◇ Optional RED, GREEN or AMBER backlighting
- ◇ Snap-in bezel mount eliminates mounting hardware
- ◇ Resistant to RF and EMI
- ◇ 3½ digits with high-contrast LCD
- ◇ User selectable, displayed engineering units

Specifications:

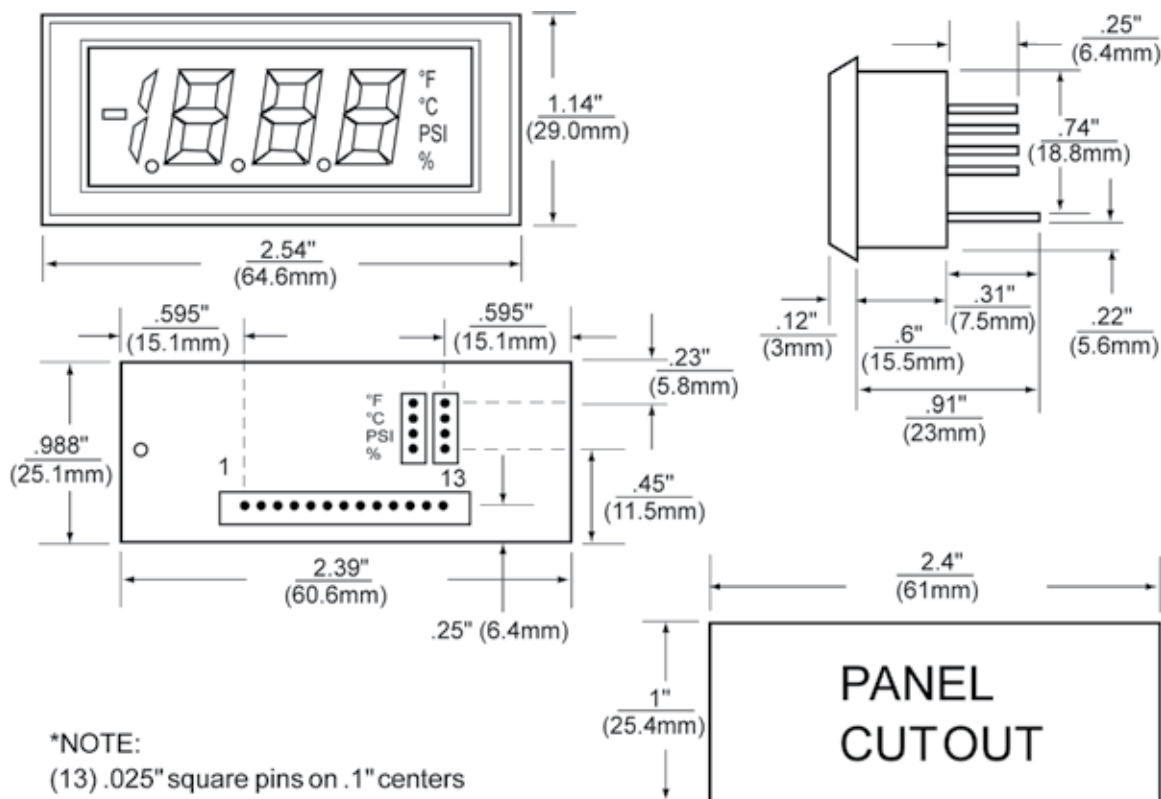
Display:	Digits:	3 ½ digits (±1999 counts)
	Type:	0.45" (11.4 mm) 7 segment LCD
Backlighting:		Optional Red Negative (red numbers/black background) Optional Green Negative (green numbers/black background) Optional Amber Negative (amber numbers/black background) Optional Green Positive (black numbers/green background)
	Polarity:	automatic, "-" displayed
	Annunciators:	°F, °C, PSI, %, user selectable
	Decimal Points:	3 position, user selectable
	Overrange:	three lower order digits blank for inputs >1999
Inputs:	Ranges:	±200.0mV, ±2.000V, ±20.00V DC
	Configuration:	bipolar differential
	Protection:	±350 VDC, (±100 VDC on 200 mV range)
	Impedance:	1000 MΩ on ± 200 mV; (1 MΩ on 2 V & 20 V range)
	Bias Current:	1 pA (± 200 mV) , 100 pA (other ranges)
Performance:	Accuracy:	± (0.1% fs + 2 count)
	Conversion Rate:	3 per second
	Normal Mode Rejection:	>30 dB @ 60 Hz
	Common Mode Range:	±1 VDC max
	Common Mode Rej.:	>86 dB
	Zero Adjustment:	automatic
	Warmup:	10 minutes typical
	Temperature Coeff.:	±100 ppm per °C typical
Environment:	Operating Range:	0 to 50 °C
	Storage Range:	-20 to 70 °C
Power Supply:		5 VDC at 3.5 mA max
	Optional Backlight:	24 VDC at 35 mA, 5 VDC at 130mA typical
Mounting:		snap-in bezel mount
Connection:		13 pins, 0.025" square

Ordering Information:

PART NUMBER	BACKLIGHT COLOR	METER INPUT	BACKLIGHT POWER
DMO-541	NO BACKLIGHT	200mV	NONE
DMO-542	NO BACKLIGHT	2V	NONE
DMO-543	NO BACKLIGHT	20V	NONE
DMO-551	NEG AMBER	200mV	5VDC
DMO-552	NEG AMBER	2V	5VDC
DMO-553	NEG AMBER	20V	5VDC
DMO-554	NEG AMBER	200mV	24VDC
DMO-561	NEG GREEN	200mV	5VDC
DMO-562	NEG GREEN	2V	5VDC
DMO-563	NEG GREEN	20V	5VDC
DMO-564	NEG GREEN	200mV	24VDC
DMO-571	NEG RED	200mV	5VDC
DMO-572	NEG RED	2V	5VDC
DMO-573	NEG RED	20V	5VDC
DMO-574	NEG RED	200mV	24VDC
DMO-581	POS GREEN	200mV	5VDC
DMO-582	POS GREEN	2V	5VDC
DMO-583	POS GREEN	20V	5VDC
DMO-584	POS GREEN	200mV	24VDC
J4C13		13 Pin Connector / Wire Assembly	
PW2-5		Regulated 120V AC to 5V DC Power Supply	
PW2-24		Regulated 120V AC to 24V DC Power Supply	



Dimensions



Wiring:

Pin No.	Pin Name	Description
1	+5V	+5V power supply
2	NEG	Power supply ground
3	INHI	Positive input signal
4	INLO	Negative input signal
5	COM	Decimal common
6	000.0	000.0 when connected to decimal common
7	00.00	00.00 when connected to decimal common
8	0.000	0.000 when connected to decimal common
9	NC	No connection required
10	NC	No connection required
11	SH	Signal hold when connected to V+
12	BLV+	Backlight V+ (Backlit models only)
13	BLV-	Backlight V- (Backlit models only)

Note: Pins 2 & 4 should be tied together for proper operation