



Features:

- ◇ Low-cost, high-performance replacement for many OEM DPMs
- ◇ Mounting choices:
 - Window mount for custom OEM
 - Surface mount with minimum space behind the panel
 - Snap-in bezel mount eliminates mounting hardware
- ◇ Low power: choice of 1.5mA (9V) or 2.6mA (+5V)
- ◇ Space-saving design: only 1" (25 mm) deep
- ◇ Occupies less than 2.5 X 1.1 inches of front panel space
- ◇ 4½ digits with high-contrast LCD

Specifications:

Display:	Digits:	4 ½ digits (±19999 counts)
	Type:	0.5" (13mm) 7 segment LCD
	Polarity:	automatic, "-" displayed
	Annunciators:	"LoBat" when power <7.2 VDC
	Decimal Points:	4 position, user selectable
	Overrange:	four lower order digits blank for inputs >1999 & <-1999
	Hold:	standard
Inputs:	Ranges:	±200.0 mV, ±2.000 V, ±20.00 VDC
	Configuration:	single ended for 9 V powered, differential for 5 V powered
	Protection:	±10 VDC on 200 mV; ±100 VDC on @ 2 V; ±350 VDC on 20 V range
	Impedance:	>100 MΩ on ± 200 mV; (>1 MΩ on 2 V & 20 V range)
	Bias Current:	10 pA typical
Performance:	Accuracy:	±(0.06% fs + 1 count) maximum
	Conversion Rate:	2 per second
	Normal Mode Rejection:	>30 dB @ 60 Hz
	Common Mode Range:	±1 VDC (5 V powered)
	Common Mode Rej.:	>86 dB
	Zero Adjustment:	automatic
	Warmup:	10 minutes typical
	Temperature Coeff.:	±50 ppm per °C typical ±100 ppm max for 200 mV range ±100 ppm per °C typical ±200 ppm max for 2 V & 20 V ranges
Environment:	Operating Range:	0 to 50 °C
	Storage Range:	-20 to 70 °C
Power Supply:	5V powered:	+5 VDC (4.65 - 5.35) at 2.6 mA
	9V powered:	+7.2 to +12 V at 1.5 mA
Mounting:	4W:	surface or window mount
	4S:	snap-in bezel mount
Connection:	4W, 4S:	13 pins, 0.025" square on 0.1" centers

Ordering Information:

4S SERIES

PART NUMBER	METER INPUT	METER POWER
4S0040N.....	200mV	+5VDC
4S0140N.....	2V	+5VDC
4S0240N.....	20V	+5VDC

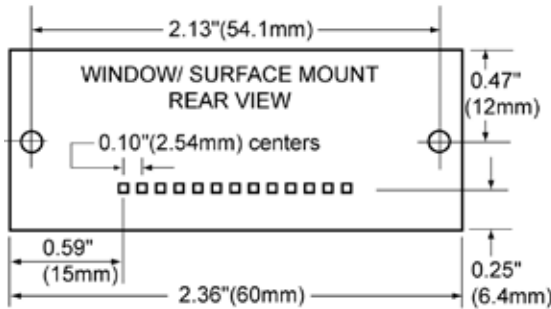
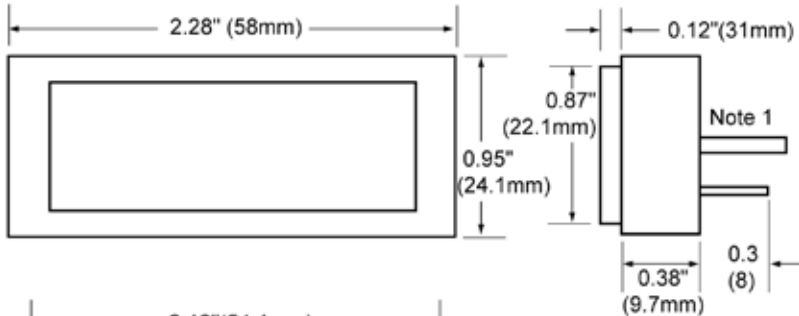
4W SERIES

PART NUMBER	METER INPUT	METER POWER
4W0040	200mV	+5VDC
4W0090	200mV	9V
4W0140	2V	+5VDC
4W0190	2V	9V

- J4C13 13 Pin Connector / Wire Assembly
- PW2-5.....Regulated 120V AC to 5V DC Power Supply
- PW2-12.....Regulated 120V AC to 12V DC Power Supply

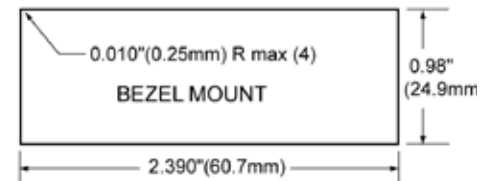
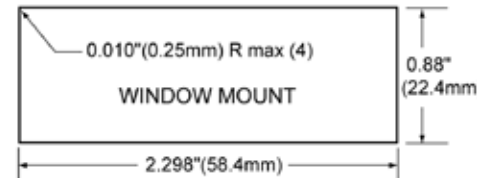
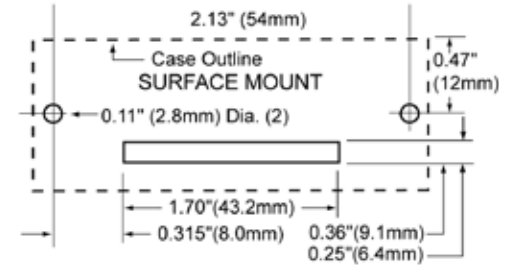
Dimensions & Wiring Connections

WINDOW/SURFACE MOUNT DIMENSIONS

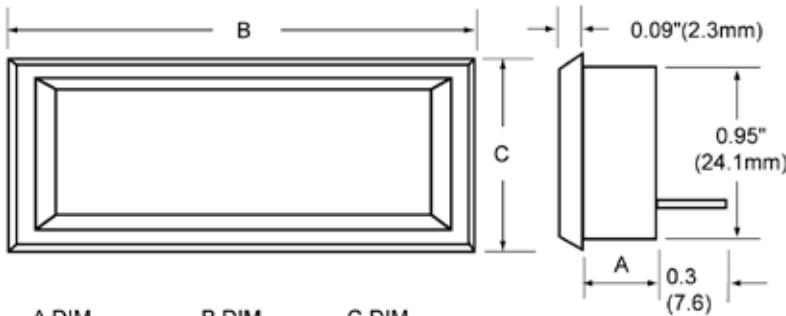


NOTES:
 1. Mounting studs (2) are #2-56, length 0.5 (13) min. Snap in bezel mount does not have mounting studs.

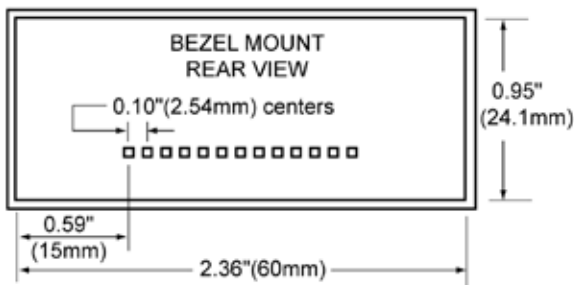
PANEL CUTOUTS



SNAP IN BEZEL MOUNT DIMENSIONS



A DIM.	B DIM.	C DIM.
0.44"(11.2mm)	2.51"(63.8mm)	1.10"(28mm)



INCHES (mm)

CONNECTION DESCRIPTION

PIN#	DESCRIPTION
1	V+ POSITIVE SUPPLY CONNECTION
2	V- NEGATIVE SUPPLY CONNECTION
3	INHI INPUT HIGH TERMINAL
4	INLO INPUT LOW TERMINAL
5	D1 DECIMAL POINT = 000.0
6	D2 DECIMAL POINT = 00.00
7	D3 DECIMAL POINT = 0.000
8	D4 DECIMAL POINT = .0000
9	DP DP COMMON <small>CONNECT TO DECIMAL POINTS TO ACTIVATE</small>
10	RNG 10:1 RANGE <small>CONNECT TO V+ TO ACTIVATE</small>
11	HLD HOLD FEATURE <small>CONNECT TO V+ TO ACTIVATE</small>
12	NC
13	NC