

Features:

- ◇ Low-cost, high-performance replacement for many OEM DPMs
- ◇ Optional Red or Green backlighting
- ◇ Mounting choices:
 - Window mount for custom OEM
 - Surface mount with minimum space behind the panel
 - Bezel mount using retaining clips
 - Snap-in bezel mount eliminates mounting hardware
- ◇ Low power: choice of 180µA (9V, ±5V) or 2.5mA (+5V)
- ◇ Space-saving design: only 1" (25 mm) deep
- ◇ Occupies less than 2.5 X 1.1 inches of front panel space
- ◇ 3½ digits with high-contrast LCD
- ◇ Optional loop powered 4 to 20mA process inputs available (see LPI-J1)

Specifications:

Display:	Digits:	3 ½ digits (±1999 counts)
	Type:	0.5" (12mm) high-contrast reflective LCD
	Backlighting:	Optional Red Negative (red numbers/black background) Optional Green Negative (green numbers/black background) Optional Green Positive (black numbers/green background)
	Polarity:	automatic, "-" displayed
	Decimal Points:	3 position, user selectable
	Overrange:	three lower order digits blank for inputs >1999 & < -1999
	Hold:	available OEM option, contact factory
Inputs:	Ranges:	±200.0 mV, ±2.000 V, ±20.00 VDC
	Configuration:	bipolar & differential
	Protection:	±350 VDC, (±100 VDC on 200 mV range)
	Impedance:	>10 MΩ, (>1 MΩ on 20 V range)
Performance:	Accuracy:	±(0.1% + 1 count) typical ±(0.1% + 2 counts) maximum
	Conversion Rate:	2.5 per second
	Normal Mode Rejection:	>30 dB @ 60 Hz
	Common Mode Range:	±1 VDC
	Common Mode Rej.:	>86 dB
	Zero Adjustment:	automatic
	Warmup:	10 minutes typical
	Temperature Coeff.:	±100 ppm per °C typical
Environment:	Operating Range:	0 to 50 °C
	Storage Range:	-20 to 70 °C
Power Supply:	5V powered:	+5 VDC (±5%) at 2.5 mA
	9V(±5V) powered:	+7.2 to +12 V at 180 µA
	Optional Backlight:	+5 VDC at 100 mA typical
Mounting:	5W:	surface or window mount
	5B:	bezel mount with retaining clips
	5S:	snap-in bezel mount
Connection:	5W, 5B, 5S:	13 pins, 0.025" square on 0.1" centers - pin 3 missing

Ordering Information:

5S SERIES

PART NUMBER	BACKLIGHT COLOR	METER INPUT	METER POWER	BACKLIGHT POWER
5S0040N	NO BACKLIGHT	200mV	+5VDC	NONE
5S0050N	NO BACKLIGHT	200mV	±5VDC	NONE
5S0090N	NO BACKLIGHT	200mV	9V	NONE
5S0140N	NO BACKLIGHT	2V	+5VDC	NONE
5S0150N	NO BACKLIGHT	2V	±5VDC	NONE
5S0190N	NO BACKLIGHT	2V	9V	NONE
5S0240N	NO BACKLIGHT	20V	+5VDC	NONE
5S0250N	NO BACKLIGHT	20V	±5VDC	NONE

5W SERIES

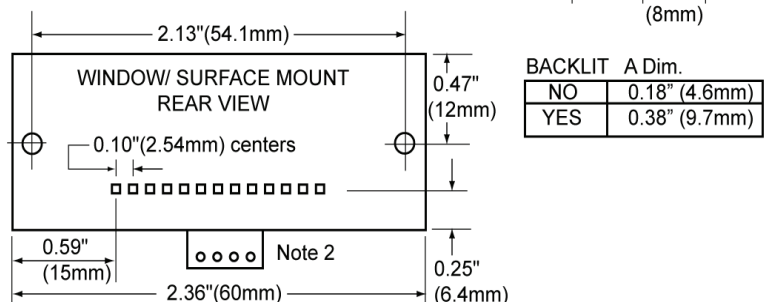
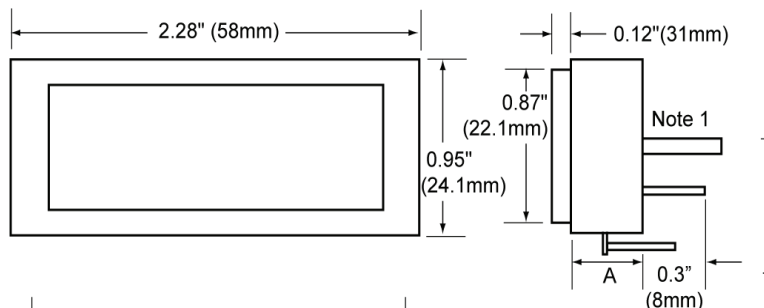
PART NUMBER	BACKLIGHT COLOR	METER INPUT	METER POWER	BACKLIGHT POWER
5W0040	NO BACKLIGHT	200mV	+5VDC	NONE
5W0050	NO BACKLIGHT	200mV	±5VDC	NONE
5W0090	NO BACKLIGHT	200mV	9V	NONE
5W0140	NO BACKLIGHT	2V	+5VDC	NONE
5W0150	NO BACKLIGHT	2V	±5VDC	NONE
5W0190	NO BACKLIGHT	2V	9V	NONE
5W0240	NO BACKLIGHT	20V	+5VDC	NONE
5W0250	NO BACKLIGHT	20V	±5VDC	NONE
5W0290	NO BACKLIGHT	20V	9V	NONE
5W2041	POS GREEN	200mV	+5VDC	5VDC
5W2141	POS GREEN	2V	+5VDC	5VDC
5W4041	NEG GREEN	200mV	+5VDC	5VDC
5W4141	NEG GREEN	2V	+5VDC	5VDC
5W6041	NEG RED	200mV	+5VDC	5VDC
5W6141	NEG RED	2V	+5VDC	5VDC

CONTINUED ON PAGE 18

J1C4	4 Pin Connector / Wire Assembly
J1C13	13 Pin Connector / Wire Assembly
PW2-5	Regulated 120V AC to 5V DC Power Supply
PW2-12	Regulated 120V AC to 12V DC Power Supply
PW2-24	Regulated 120V AC to 24V DC Power Supply

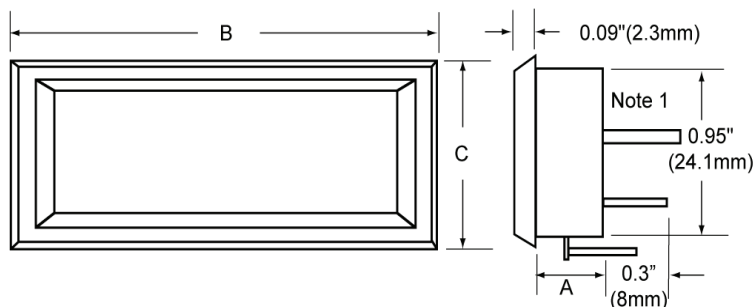
Dimensions & Wiring Connections

WINDOW/SURFACE MOUNT DIMENSIONS

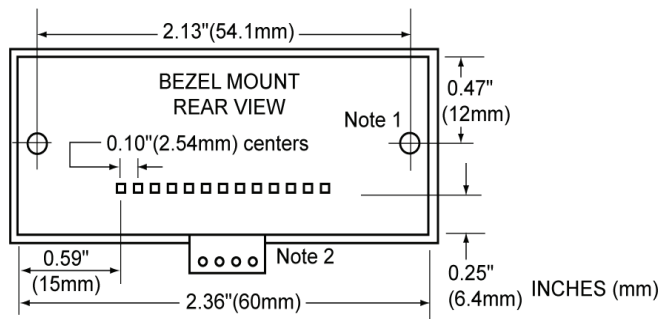


BACKLIT	A Dim.
NO	0.18" (4.6mm)
YES	0.38" (9.7mm)

BEZEL MOUNT DIMENSIONS



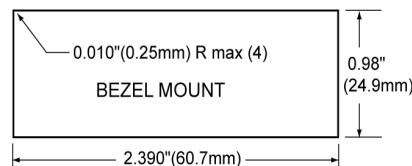
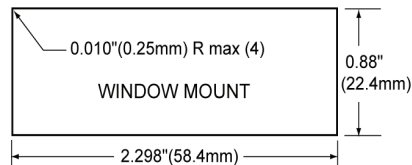
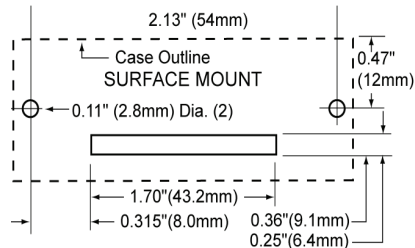
MNTG	BACKLIT	A DIM.	B DIM.	C DIM.
5B	NO	0.33" (8.4mm)	2.45" (62.2mm)	1.03" (26.2mm)
5B	YES	0.52" (13.2mm)	2.45" (62.2mm)	1.03" (26.2mm)
5S	NO	0.45" (11.4mm)	2.51" (63.8mm)	1.10" (28mm)



NOTES:

- Mounting studs (2) are #2-56, length 0.5 (13) min. Snap in Bezel Mount does not have mounting studs.
- Backlight Option is on 0.50" (12.4mm) wide X 0.22" (5.4mm) high tab

PANEL CUTOUTS



CONNECTION DESCRIPTION

#	13-PIN	DESCRIPTION
V+		POSITIVE DPM PWR SUPPLY
V-		NEG PWR FOR 9V OR ± 5V DPMS
NC		NO PIN
GND		NEG PWR FOR +5V DPMS
COM		ANALOG COMMON
INLO		DISPLAY INPUTS: DISPLAY IS NEGATIVE
INHI		IF INHI IS LOWER THAN INLO
RFL (CLK)		NEGATIVE REFERENCE INPUT (AND OPTIONAL HOLD)
RFH		POSITIVE REFERENCE INPUT
ROH		INTERNAL REFERENCE OUTPUT
D3		DECIMAL POINT = 1XX.X*
D2		DECIMAL POINT = 1X.XX*
D1		DECIMAL POINT = 1.XXX*

* Connect to Pin 1

Ordering Information Continued:

5B SERIES

PART NUMBER	BACKLIGHT COLOR	METER INPUT	METER POWER	BACKLIGHT POWER
5B0040NO BACKLIGHT200mV+5VDCNONE
5B0050NO BACKLIGHT200mV±5VDCNONE
5B0090NO BACKLIGHT200mV9VNONE
5B0140NO BACKLIGHT2V+5VDCNONE
5B0150NO BACKLIGHT2V±5VDCNONE
5B0190NO BACKLIGHT2V9VNONE
5B0240NO BACKLIGHT20V+5VDCNONE
5B0250NO BACKLIGHT20V±5VDCNONE
5B0290NO BACKLIGHT20V9VNONE
5B2041POS GREEN200mV+5VDC5VDC
5B2141POS GREEN2V+5VDC5VDC
5B4041NEG GREEN200mV+5VDC5VDC
5B4141NEG GREEN2V+5VDC5VDC
5B6041NEG RED200mV+5VDC5VDC
5B6141NEG RED2V+5VDC5VDC