

Features:

- ◇ Low-cost
- ◇ Ultra compact flat design
- ◇ Less than .25" deep
- ◇ 3½ digits with high-contrast LCD

Specifications:

Display:	Digits:	3 ½ digits (±1999 counts)
	Type:	0.5" (13mm) 7 segment reflective LCD
	Digit Height:	.50" (12.7mm)
	Polarity Indication:	automatic, "-" displayed
Annunciators:	"LoBat" when power <7.2 VDC	
	Decimal Points:	3 position, user selectable
	Overrange:	three lower order digits blank for inputs >1999
	Inputs:	Ranges:
Performance:	Configuration:	true differential input and reference
	Protection:	250 VDC or 150 V RMS continuous, 300 V intermittent max
	Impedance:	>100 MΩ on ± 200mV ; (>1 MΩ on 2V & 20V range)
	Bias Current:	1 pA typical, 10 pA max
	Accuracy:	±(0.1% fs + 2 count) with +5 and ± 5 V power ±(0.1% rgd + 1 count) with 9 V power
	Conversion Rate:	2.5 per second
	Normal Mode Rejection:	>30 dB @ 60 Hz
	Common Mode Range:	±1 VDC max
	Common Mode Rej.:	>86 dB
	Zero Adjustment:	automatic
Environment:	Warmup:	10 min typical
	Temperature Coeff.:	±100 ppm per °C typical
	Operating Range:	0 to 50 °C
	Storage Range:	-10 to 60 °C
Power Supply:	Relative Humidity:	0 to 95% non-condensing
	9V powered:	9 V isolated, 7.2-12 V at 150 μA
	+5V and -5V DC:	±5 V ±5% at 150 μA
Mounting:	+5V DC:	5 V ±5% at 3 mA
	panel hole mounting, standard bezel mount (optional)	
	Dimensions:	2.37 x 1.50 x .32
	Panel Cutout:	1.89 x .66
	Weight:	0.9 oz (25 g)
Connection:	5F:	13 pins, 0.025" square - pin 3 missing
	5P:	15 solder pads

Ordering Information:

5F SERIES - 13-pins

PART NUMBER	METER INPUT	METER POWER
5F0040	200mV	+5VDC
5F0050	200mV	±5VDC
5F0090	200mV	9V
5F0140	2V	+5VDC
5F0150	2V	±5VDC
5F0190	2V	9V
5F0240	20V	+5VDC
5F0250	20V	±5VDC
5F0290	20V	9V

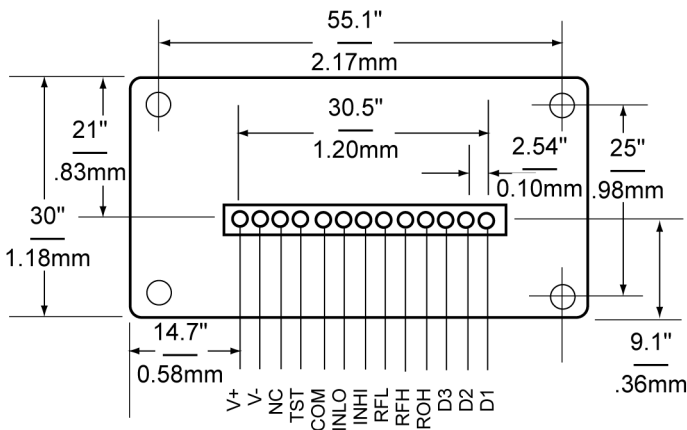
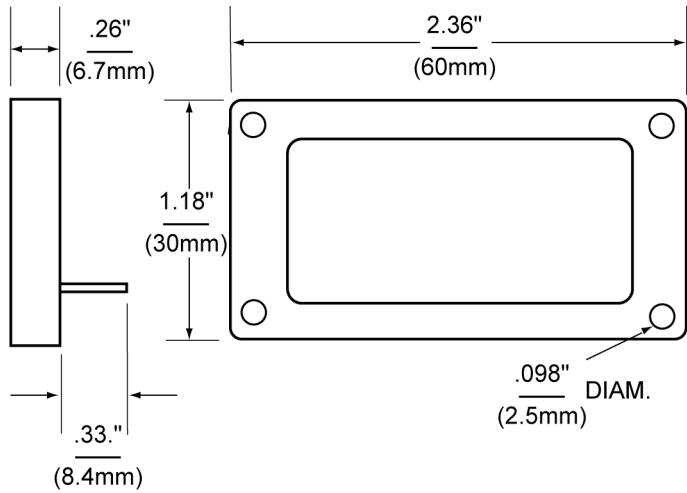
5P SERIES - 15 pads

PART NUMBER	METER INPUT	METER POWER
5P0040	200mV	+5VDC
5P0050	200mV	±5VDC
5P0090	200mV	9V
5P0140	2V	+5VDC
5P0150	2V	±5VDC
5P0190	2V	9V
5P0240	20V	+5VDC
5P0250	20V	±5VDC
5P0290	20V	9V

B-1B	Bezel Mounting Kit	
J1C13	13 Pin Connector / Wire Assembly	
PW2-5	Regulated 120V AC to 5V DC Power Supply	
PW2-12	Regulated 120V AC to 12V DC Power Supply	
PW2-24	Regulated 120V AC to 24V DC Power Supply	

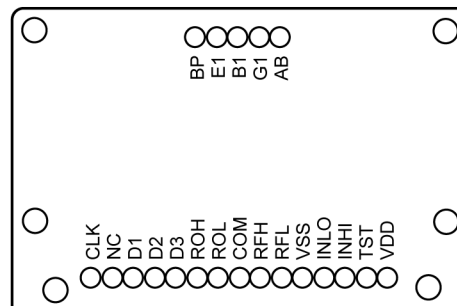
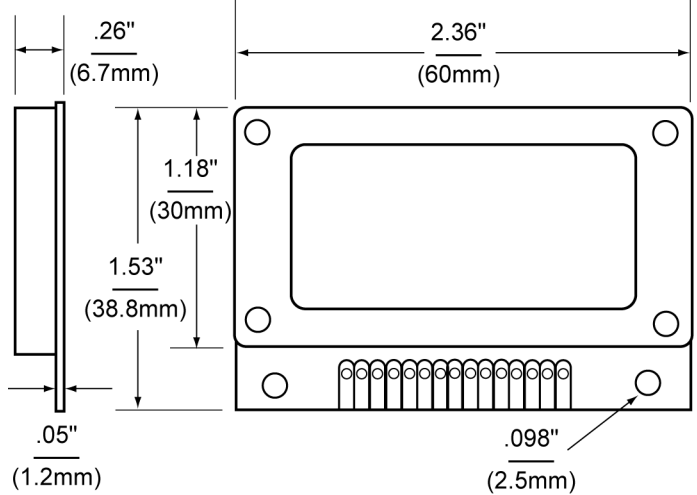
Dimensions

5F



NOTE: DO NOT SOLDER TO PINS

5P



NOTE:
DIM. = inches
(2.5mm)

BEZEL MOUNTING

