



**STURDY DESIGN REPLACES
OLD COPPER
"ONE SIZE ONLY" CLIPS**



Features and Benefits:

- ◇ Unit can hold three different sizes of capillary tubing 1/8", 1/4" and 3/8"
- ◇ Slots for tie anchors
- ◇ Inside tapered ridges allow tubing to be snapped in place
- ◇ Mounting in either horizontal or vertical planes
- ◇ Corner slot accepts 1/4" sensors
- ◇ Clips can be separated into two parts
 - Use one as a capillary mounting clip
 - The other part can be used as a sensor mounting bracket
- ◇ Plenum rated, class 94V-2 nylon
- ◇ Available in NATURAL, GREY & BLACK



Ordering Information:

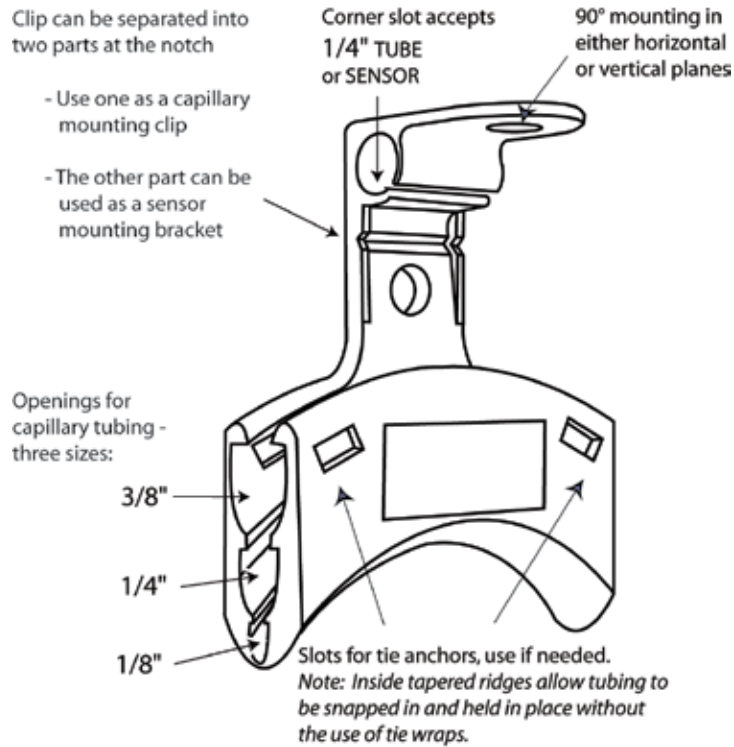
PART NUMBER

- CC1-N..... NATURAL
 CC1-G..... GREY
 CC1-BK.....BLACK

Custom colors and logos available (10,000 piece minimum)



Design Enhancements:



Dimensions:

