



### Features:

- ◇ Large 1", 3½ digit display for easy viewing.
- ◇ Decimal point user selectable
- ◇ Engineering units user selectable
- ◇ Non-backlit LCD or choice of AMBER, GREEN, RED or BLUE backlit LCD
- ◇ Wide ZERO (Offset) & SPAN (Gain) adjustment
- ◇ Standard ½ DIN package
- ◇ Snap-in panel mounting
- ◇ Gasket and clamp provided for NEMA 4, NEMA 12, & IP66 applications

### Specifications:

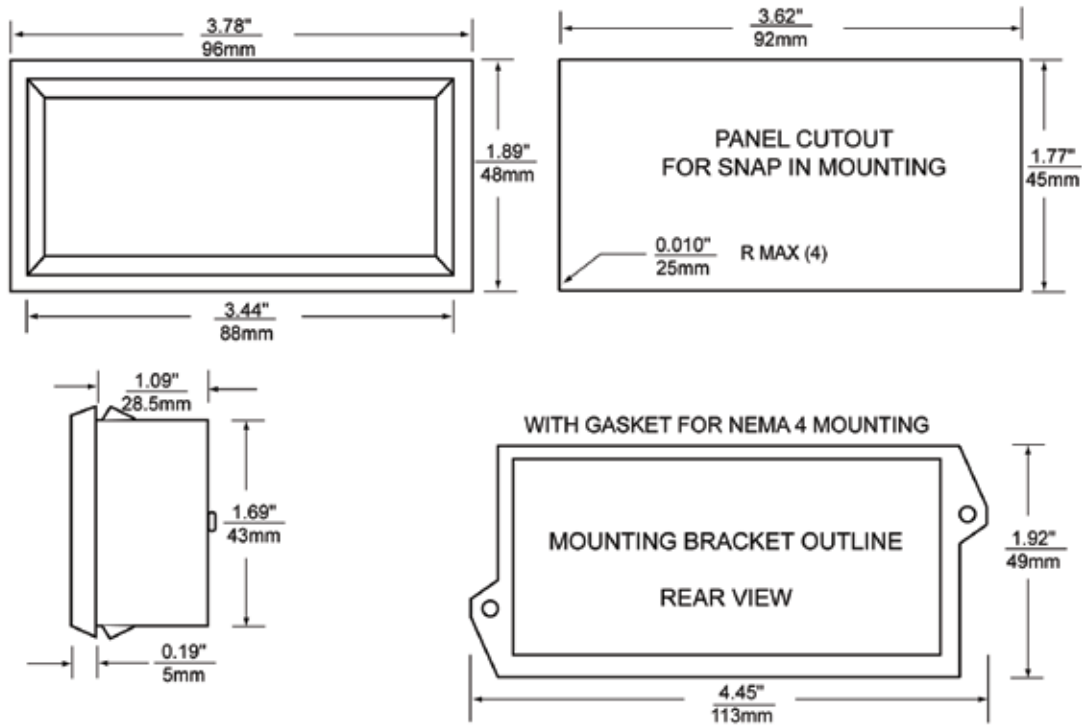
<b>Display:</b>	Digits:	3 ½ digits (±1999 counts)
	Type:	1" (24.9 mm) 7 segment high contrast LCD
	Polarity:	automatic, "-" displayed
	Annunciators:	°F, °C, PSI, %, user selectable
	Decimal Points:	3 position, user selectable
<b>Inputs:</b>	Overrange:	three lower order digits blank for inputs >1999 & < -1999
	Voltage Ranges:	200 mV, 5 V, 10 V (VPI)
	Current Range:	4 to 20mA (LPI)
	Configuration:	single ended (VPI)
	Impedance:	390KΩ (VPI)
<b>Performance:</b>	Accuracy:	±(0.05% of full scale + 1 count)
	Conversion Rate:	3 per second
	Normal Mode Rejection:	>30 dB @ 60 Hz
	Warmup:	10 minutes typical
	Temperature Coeff.:	± 100 ppm per °C typical
<b>Adjustments:</b>	25 turn potentiometers	
	Offset Range:	-1999 to +1999
	Gain Range:	1 to 1999 (custom ranges available)
<b>Environment:</b>	Operating Range:	-10 to 50 °C
	Storage Range:	-40 to 75 °C
	<b>Power Supply:</b>	Loop Powered:
	Voltage Controlled:	10 mA at 12 V (9 to 16 V) or 24 V (16 to 32 V) (VPI)
	Backlighting:	35 mA typical @ 24 VDC
<b>Mounting:</b>	snap-in panel mount or clamp and gasket (included)	
<b>Connection:</b>	screw terminals	

### Ordering Information:

PART NUMBER	BACKLIGHT COLOR	METER INPUT	METER POWER	BACKLIGHT POWER
LPI-807	NO BACKLIGHT	4-20mA	mA loop	NONE
LPI-807A	AMBER	4-20mA	mA loop	24VDC
LPI-807B	BLUE	4-20mA	mA loop	24VDC
LPI-807G	GREEN	4-20mA	mA loop	24VDC
LPI-807R	RED	4-20mA	mA loop	24VDC
VPI-809	NO BACKLIGHT	Voltage	12/24VDC	NONE
VPI-809A	AMBER	Voltage	12/24VDC	24VDC
VPI-809B	BLUE	Voltage	12/24VDC	24VDC
VPI-809G	GREEN	Voltage	12/24VDC	24VDC
VPI-809R	RED	Voltage	12/24VDC	24VDC

PW2-12.....Regulated 120V AC to 12V DC Power Supply  
 PW2-24.....Regulated 120V AC to 24V DC Power Supply

## Dimensions



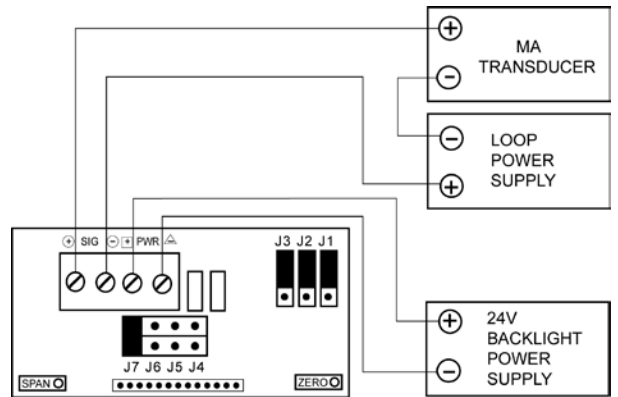
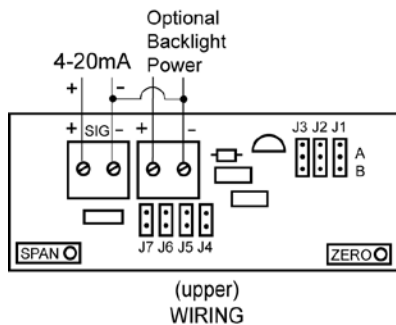
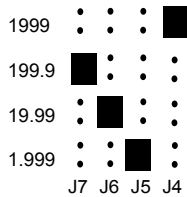
**NOTES:**

1. Panel thickness is: 0.032"/0.81mm to 0.25"/6.35mm
2. Gasket supplied is: 0.075"/1.9mm thick

## Wiring

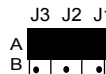
### LPI-807

**1. DECIMAL SELECTION:**

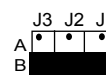


**2. J1, J2, J3 SELECTION:**

- IF:** OFFSET (ZERO) IS  $\leq 0$  or OFFSET (ZERO)  $> 0$  and GAIN (SPAN) + OFFSET (ZERO)  $\geq 5$



- IF:** OFFSET (ZERO)  $> 0$  and GAIN (SPAN) + OFFSET (ZERO)  $< 5$



**NOTE:** If backlight supply is not loop supply, ground should be referenced together.



### VPI-809

