



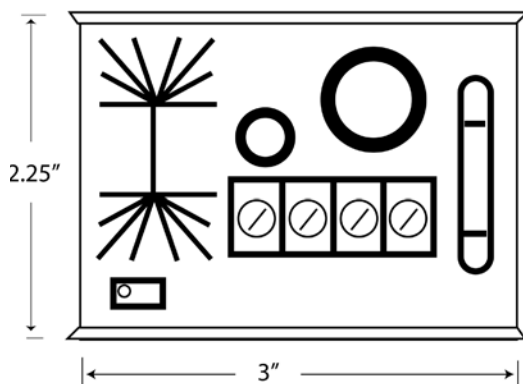
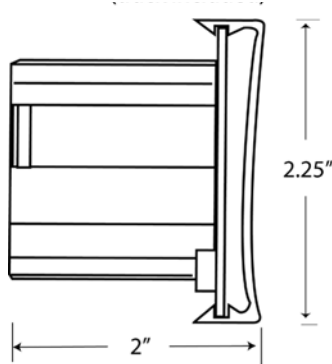
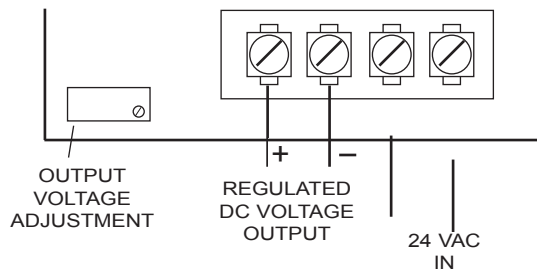
### Features:

The PW 1.0 is a regulated 0.5 amp power supply that accepts 24 VAC at the input and provides 24 VDC at the output. Field voltage adjustments may be made using only a screwdriver. The power supply is provided with a mounting track for easy field application.

These low cost power supplies feature good regulation and have full overcurrent protection.

- ◇ Low Cost
- ◇ Regulated DC output
- ◇ Snap-track mounted
- ◇ Screw terminals with pressure plates

### Wiring & Dimensions:



### Specifications:

<b>Voltage:</b>	Input :	24 VAC, 50/60 Hz
	Output:	24 VDC (full wave rectified and regulated) adjustable 1.5 V - 29 VDC
<b>Output Current:</b>		0.5 amps
<b>Over-current Protection:</b>		1 amp fuse
<b>Environment:</b>	Operating Temperature:	0 to 55°C (32 to 130°F)
	Max. Humidity:	95% RH, noncondensing
<b>Weight:</b>		0.25 lb.
<b>Mounting:</b>		snap-track included

### Ordering Information:

PART NUMBER  
PW1.0