

EPIC SERIES



Features:

- ◇ Low-cost, high-performance replacement for many OEM DPMs
- ◇ Optional RED, GREEN or AMBER backlighting
- ◇ Snap-in bezel mount eliminates mounting hardware
- ◇ Resistant to RF and EMI
- ◇ Optional window mount
- ◇ 3½ digits with high-contrast LCD
- ◇ 12V or 24V DC Voltage powered
- ◇ User selectable, displayed engineering units

Specifications:

Display:	Digits:	3 ½ digits (±19999 counts)
	Type:	0.45" (11.4 mm) 7 segment LCD
Backlighting:		Optional Red Negative (red numbers/black background)
		Optional Green Negative (green numbers/black background)
		Optional Amber Negative (amber numbers/black background)
		Optional Green Positive (black numbers/green background)
	Polarity:	automatic, "-" displayed
	Annunciators:	°F, °C, PSI, %, user selectable
	Decimal Points:	3 position, user selectable
	Overrange:	three lower order digits blank for inputs >1999 & < -1999
Inputs:	Ranges:	0-10 VDC, 0-5 VDC or 0-200 mV DC
	Configuration:	single ended
	Impedance:	390 KΩ min.
Performance:	Accuracy:	±(0.1% fs + 2 count)
	Conversion Rate:	3 per second
	Normal Mode Rejection:	>30 dB @ 60 Hz
	Adjustments:	span (gain) (2) (10V and 5V) and zero (offset)
	Warmup:	10 minutes typical
	Temperature Coeff.:	± 100 ppm per °C typical
	Offset Range:	-1999 to +1999
	Gain Range:	1-2000 counts above adjusted zero
Environment:	Operating Range:	0 to 50 °C
	Storage Range:	-10 to 60 °C
Power Supply:		12 VDC or 24 VDC regulated (selectable)
	Optional Backlight:	24 VDC at 35 mA typical
Mounting:		snap-in bezel mount
		window mount (optional)
Connection:		4 screw terminal (6 with backlight)

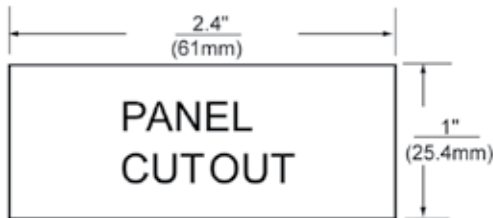
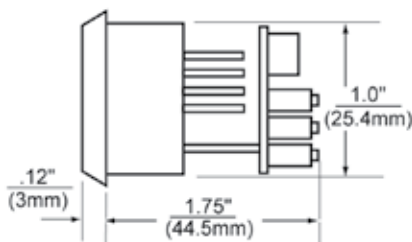
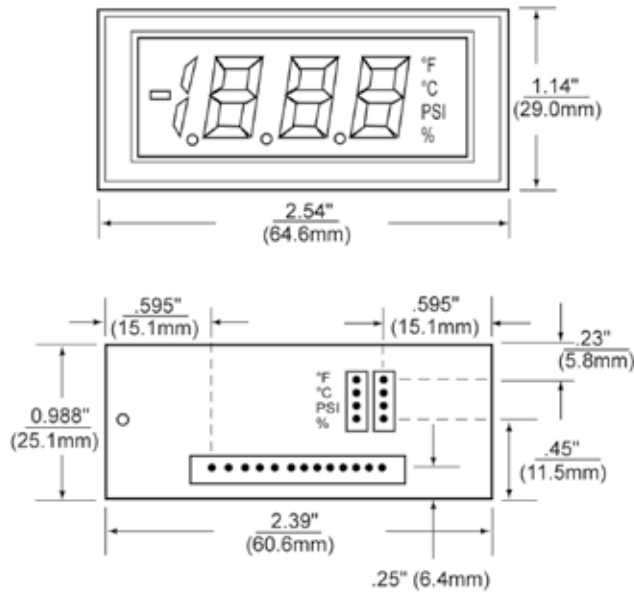
Ordering Information:

PART NUMBER	BACKLIGHT COLOR	BACKLIGHT POWER
SNAP-IN:		
VPI-3E	NO BACKLIGHT	NONE
VPI-3EAN	NEG AMBER	24 VDC
VPI-3EGN	NEG GREEN	24 VDC
VPI-3ERN	NEG RED	24 VDC
VPI-3EGP	POS GREEN	24 VDC
WINDOW:		
VPI-3EW	NO BACKLIGHT	NONE
VPI-3EANW	NEG AMBER	24 VDC
VPI-3EGNW	NEG GREEN	24 VDC
VPI-3ERNW	NEG RED	24 VDC
VPI-3EWGP	POS GREEN	24 VDC
PW2-12	Regulated 120V AC to 12V DC Power Supply	
PW2-24	Regulated 120V AC to 24V DC Power Supply	

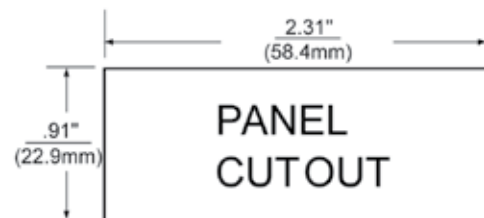
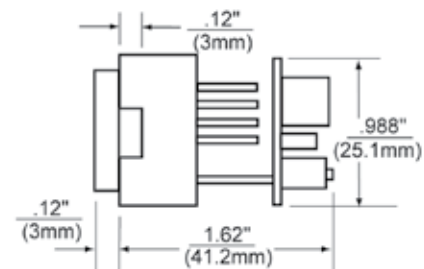
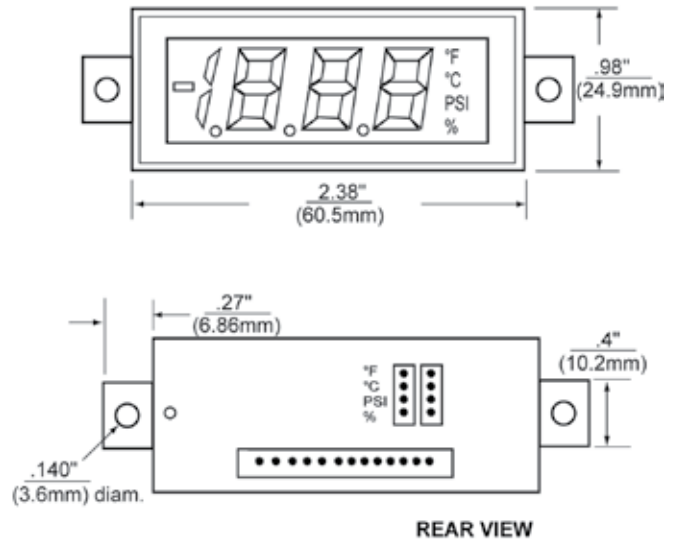


Dimensions

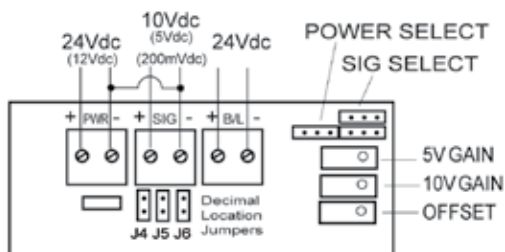
Bezel Mount



Window Mount



Wiring



Decimal Point Selection

1. Locate jumpers J4 through J6 in the middle of the circuit board unit.
2. Jumper the appropriate decimal location as follows:

- J4 - 000.0
- J5 - 00.00
- J6 - 0.000
- None - 0000