



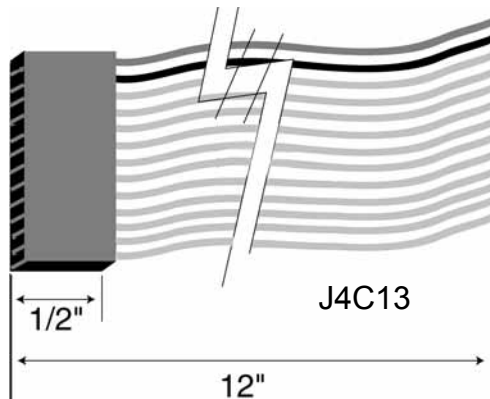
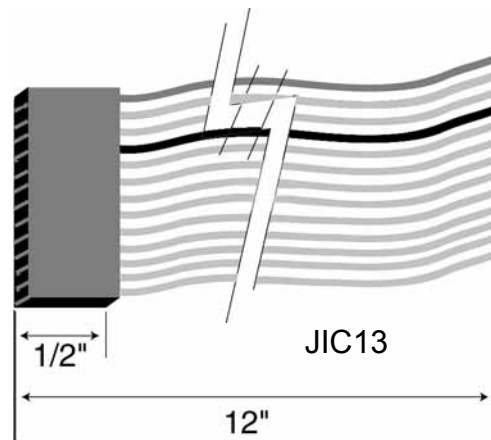
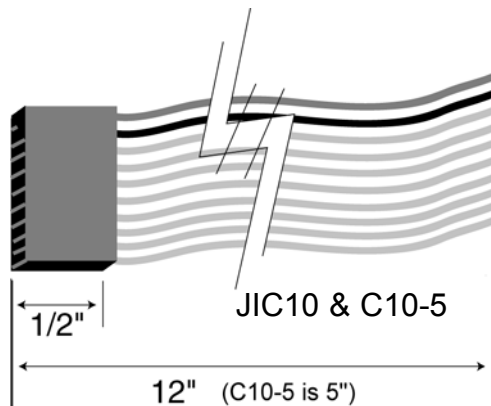
J1C10

C10-5

J1C13

J4C13

Dimensions:



Specifications:

Wire:	• UL E108485-S	80°C	300V	26AWG
	• CSA LL84687	90°C	300V	26AWG
	• Wire ends stripped 3/16" and tinned			
Connector:	0.025" square holes on 0.1" centers			

Ordering Information:

PART NUMBER

J1C10 10 pin RED on pin #1 BLACK on pin #2
C10-5 10 pin RED on pin #1 BLACK on pin #2
J1C13 13 pin RED on pin #1 BLACK on pin #4
J4C13 13 pin RED on pin #1 BLACK on pin #2