

### FEATURES

- ▶ Low-cost, high-performance DPMs
- ▶ Optional RED, GREEN or AMBER backlighting
- ▶ Snap-in bezel mount eliminates mounting hardware
- ▶ Resistant to RF and EMI
- ▶ 4½ digits with high-contrast LCD
- ▶ User-selectable, displayed engineering units

### SPECIFICATIONS

#### DISPLAY

Digits: 4½ digits ( $\pm 19999$  counts)  
 Type: 0.45" (11.4 mm) 7 segment LCD  
 Backlighting: Optional Red Negative (red numbers/black background)  
 Optional Green Negative (green numbers/ black background)  
 Optional Amber Negative (amber numbers/ black background)  
 Optional Green Positive (black numbers / green background)  
 Polarity: automatic, "-" displayed  
 Annunciators: °F, °C, PSI, %, user-selectable  
 Decimal Points: 4 position, user-selectable  
 Overrange: four lower order digits blank for inputs >19999

#### INPUTS

Ranges:  $\pm 200.0\text{mV}$ ,  $\pm 2.000\text{V}$ ,  $\pm 20.00\text{V DC}$   
 Configuration: bipolar differential  
 Protection:  $\pm 350\text{ VDC}$ , ( $\pm 100\text{ VDC}$  on 200 mV range)  
 Impedance: 1000 M $\Omega$  on  $\pm 200\text{ mV}$ ;  
 (1 M $\Omega$  on 2 V & 20 V range)  
 Bias Current: 1 pA ( $\pm 200\text{ mV}$ ) , 100 pA (other ranges)

#### PERFORMANCE

Accuracy:  $\pm (0.1\% \text{ fs} + 2 \text{ count})$   
 Conversion Rate: 3 per second  
 Normal Mode Rejection: >30 dB @ 60 Hz  
 Common Mode Range:  $\pm 1\text{ VDC max}$   
 Common Mode Rej.: >86 dB  
 Zero Adjustment: automatic  
 Warmup: 10 minutes typical  
 Temperature Coeff.:  $\pm 100\text{ ppm per } ^\circ\text{C typical}$

#### ENVIRONMENT

Operating Range: 0 to 50 °C  
 Storage Range: -10 to 70 °C

#### POWER SUPPLY

+5VDC +5 VDC at 3.5 mA max  
 Optional Backlight: 24 VDC at 35 mA, 5 VDC at 130mA typical

#### MOUNTING

snap-in bezel mount

#### CONNECTION

13 pins, 0.025" square

### ORDERING INFO

PART NUMBER	BACKLIGHT COLOR	METER INPUT	BACKLIGHT POWER
DMO-741	NO BACKLIGHT	200mV	NONE
DMO-742	NO BACKLIGHT	2V	NONE
DMO-743	NO BACKLIGHT	20V	NONE
DMO-751	NEG AMBER	200mV	5VDC
DMO-752	NEG AMBER	2V	5VDC
DMO-753	NEG AMBER	20V	5VDC
DMO-754	NEG AMBER	200mV	24VDC
DMO-761	NEG GREEN	200mV	5VDC
DMO-762	NEG GREEN	2V	5VDC
DMO-763	NEG GREEN	20V	5VDC
DMO-764	NEG GREEN	200mV	24VDC
DMO-771	NEG RED	200mV	5VDC
DMO-772	NEG RED	2V	5VDC
DMO-773	NEG RED	20V	5VDC
DMO-774	NEG RED	200mV	24VDC
DMO-781	POS GREEN	200mV	5VDC
DMO-782	POS GREEN	2V	5VDC
DMO-783	POS GREEN	20V	5VDC
DMO-784	POS GREEN	200mV	24VDC

#### ACCESSORIES

J4C13	13 Pin connector / Wire Assembly
PW2-5	Regulated 120V AC to 5V DC Power Supply
PW2-24	Regulated 120V AC to 24V DC Power Supply
CVC	Calibrator

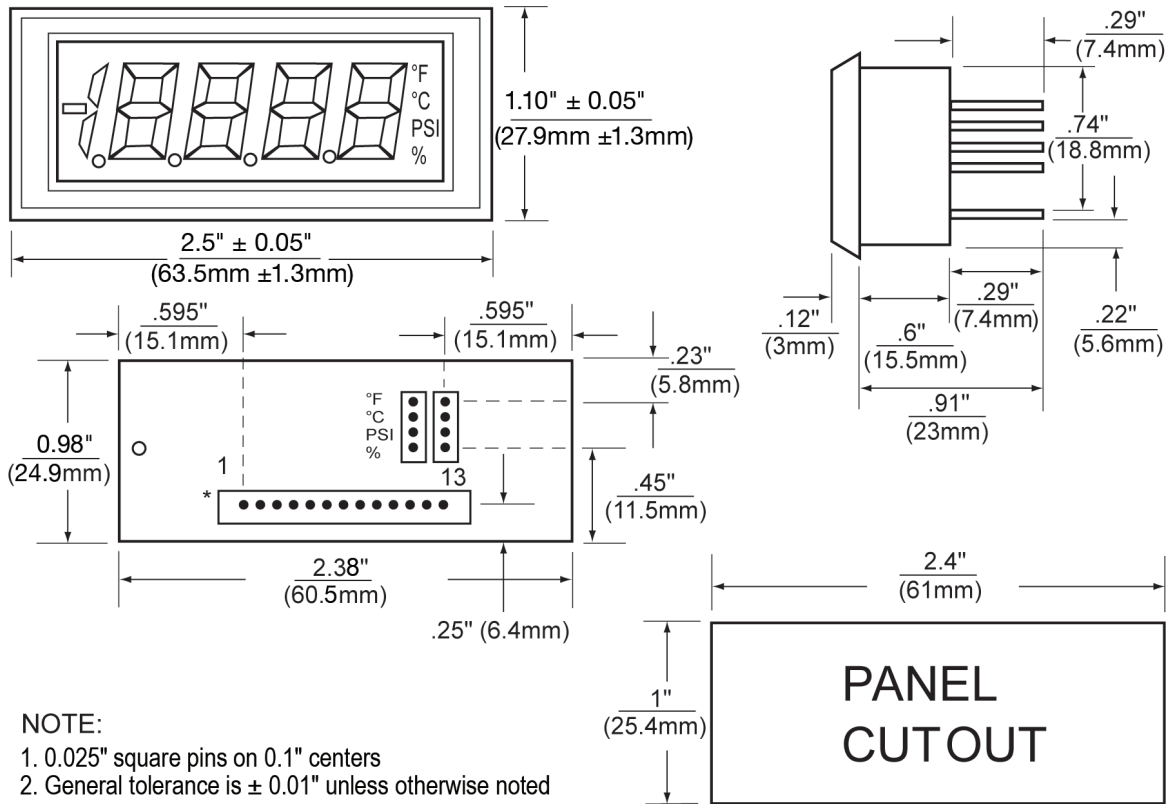


# Specifications Installation and Operating Instructions LCD Digital Panel Meters

EPIC Series - 4½ Digit LCD



## DIMENSIONS



- NOTE:
1. 0.025" square pins on 0.1" centers
  2. General tolerance is ± 0.01" unless otherwise noted

## WIRING

PIN #	PIN NAME	DESCRIPTION
1	+5V	+5V POWER SUPPLY
2	NEG	POWER SUPPLY GROUND
3	INHI	POSITIVE INPUT SIGNAL
4	INLO	NEGATIVE INPUT SIGNAL
5	COM	DECIMAL COMMON
6	0000.0	0000.0 WHEN CONNECTED TO DECIMAL COMMON
7	000.00	000.00 WHEN CONNECTED TO DECIMAL COMMON
8	00.000	00.000 WHEN CONNECTED TO DECIMAL COMMON
9	0.0000	0.0000 WHEN CONNECTED TO DECIMAL COMMON
10	NC	NO CONNECTION REQUIRED
11	NC	NC
12	BLV+	B/L V+ (BACKLIT MODELS ONLY)
13	BLV-	B/L V- (BACKLIT MODELS ONLY)

Note: Pins 2 & 4 should be tied together for proper operation