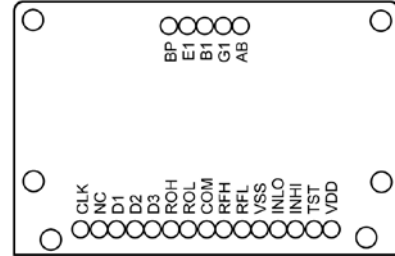
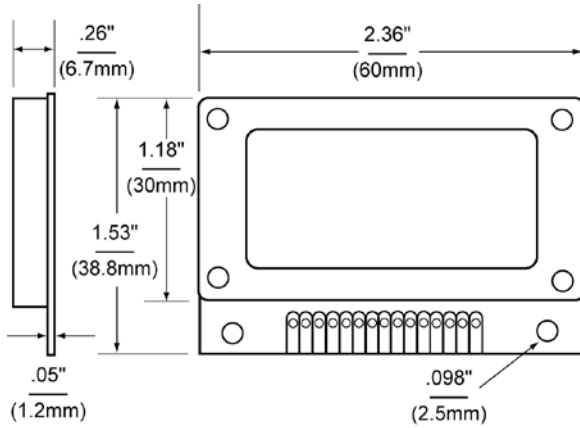


# 5P SERIES FLAT PACK SOLDER PAD

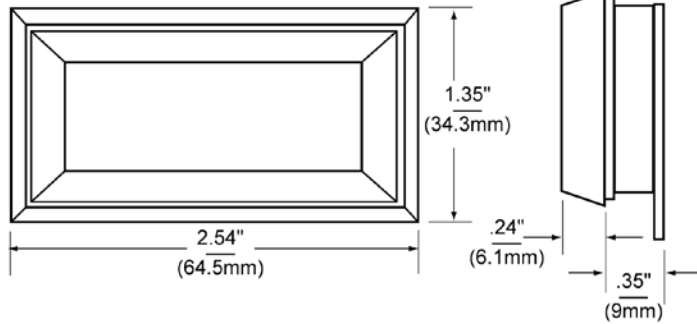
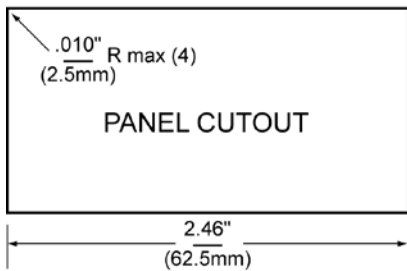
## 3½ DIGIT LCD DPM INSTALLATION SHEET

### PANEL CUTOUT & DIMENSIONS



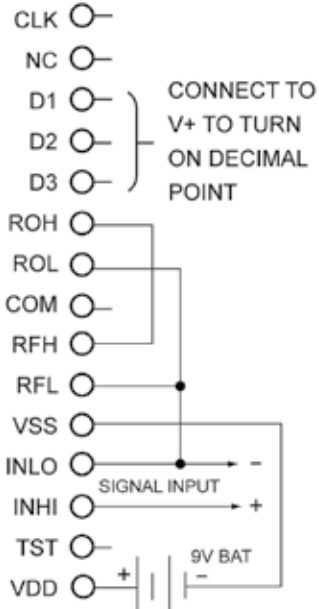
NOTE:  
DIM. = inches  
(2.5mm)

### BEZEL MOUNTING

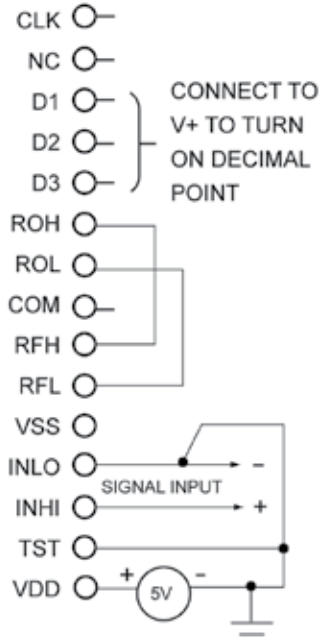


### WIRING

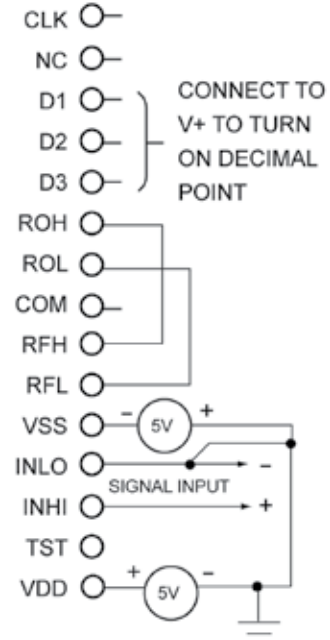
#### 9V (BATTERY) POWER



#### +5V DC POWER



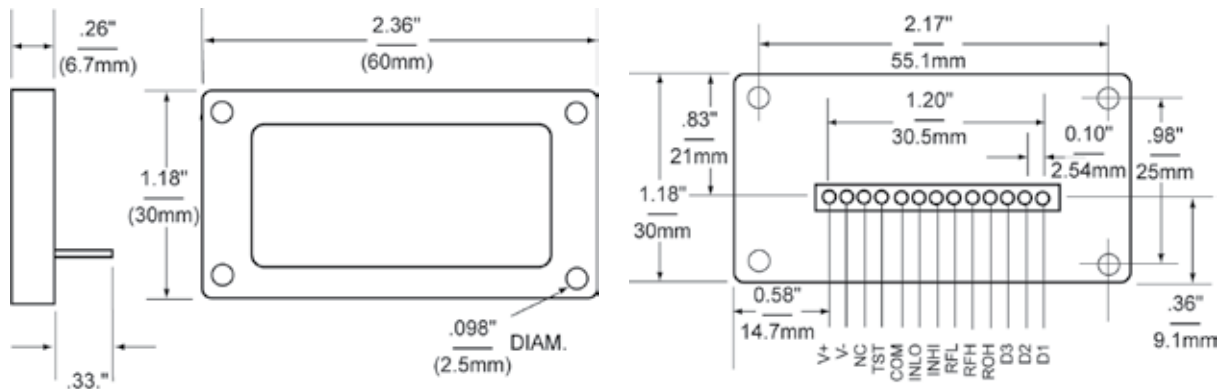
#### ±5V DC POWER



# 5F SERIES FLAT PACK PINS

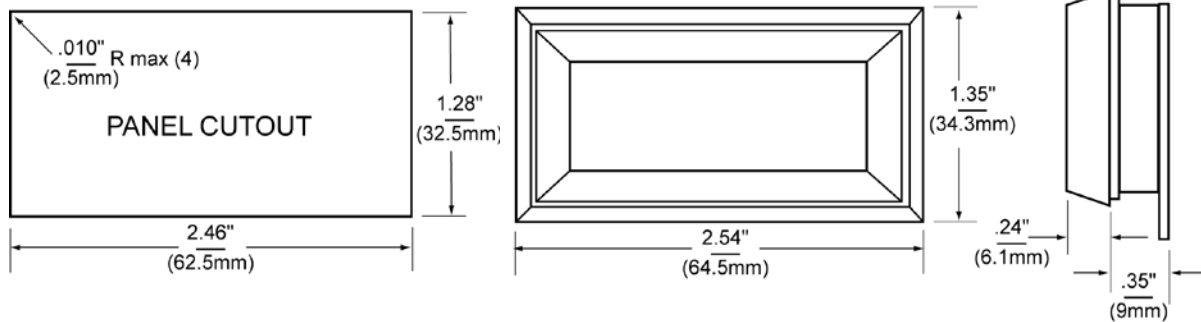
## 3½ DIGIT LCD DPM INSTALLATION SHEET

### PANEL CUTOUT & DIMENSIONS

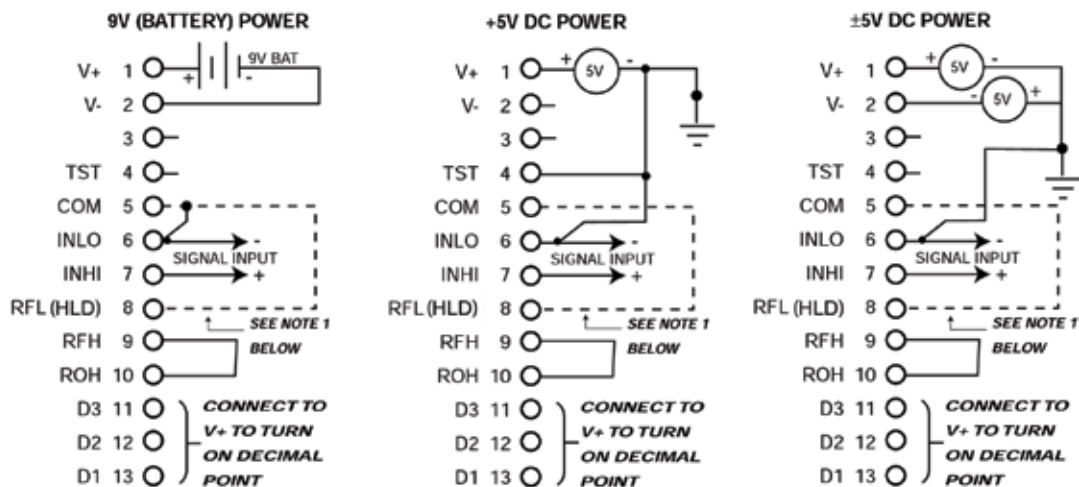


NOTE: DO NOT SOLDER TO PINS

### BEZEL MOUNTING



### WIRING



#### NOTES:

1. On DPMs with the hold option, DO NOT connect "COM" & "RFL".
2. Isolate the input from supply with 9V connection shown.
3. The common mode range of the input on ±5V & +5V powered DPMs is ±2V max
4. DO NOT solder pins.
5. The 5V backlight power supply is separate from that of the DPM.  
Connect the supply returns together to reduce noise.
6. CAUTION: The DPM part number must match the correct supply voltage.