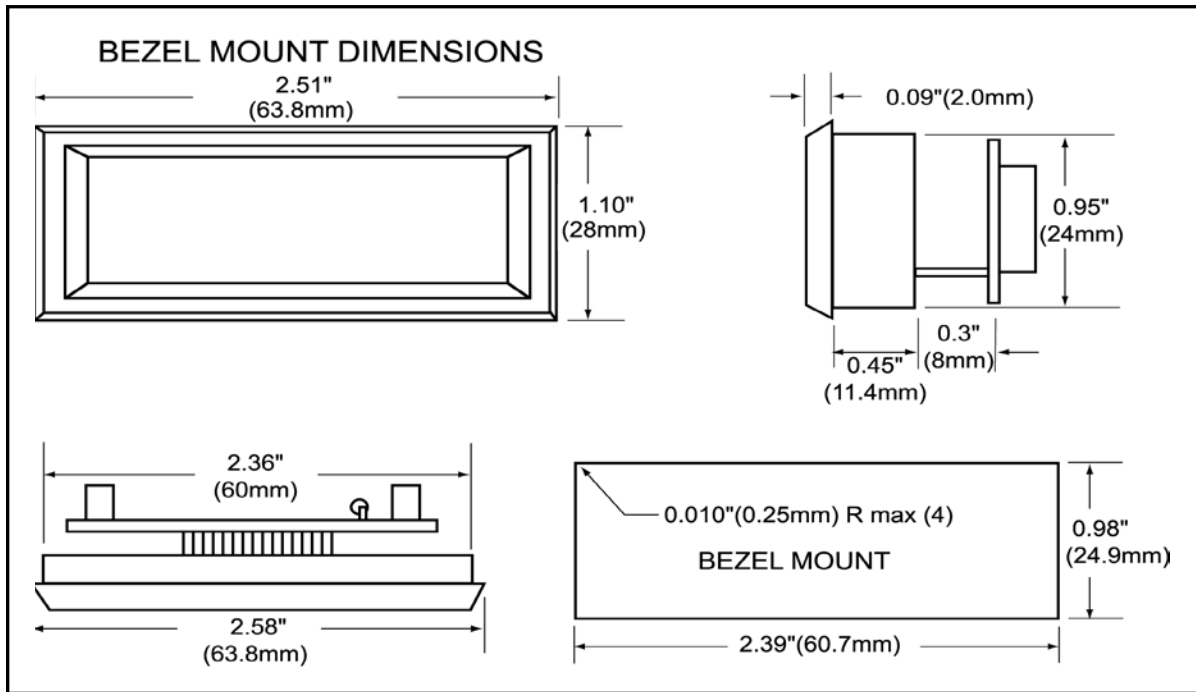


# LPI-J1

## 3½ DIGIT LOOP LCD DPM INSTALLATION SHEET

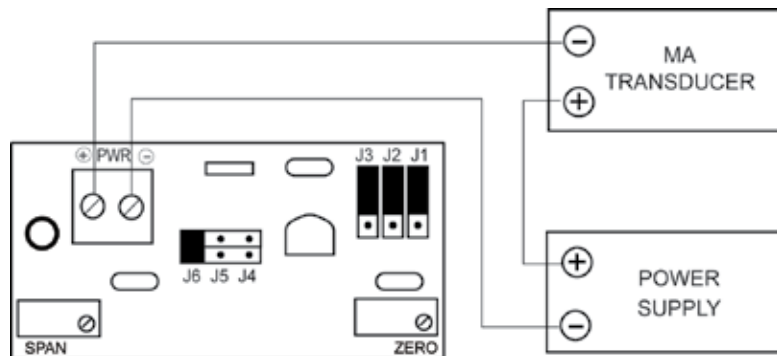
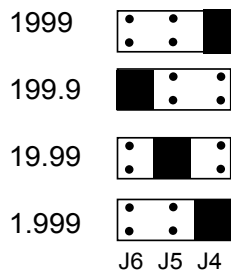
### PANEL CUTOUT & DIMENSIONS



### JUMPER SELECTION & WIRING

#### 1. DECIMAL SELECTION:

(J4, J5, J6)



#### 2. J1, J2, J3 SELECTION:

**IF:** OFFSET (ZERO) IS  $\leq \emptyset$  **or**  
 OFFSET (ZERO)  $> \emptyset$  **and** GAIN (SPAN)  $\div$  OFFSET (ZERO)  $\geq 5$

**IF:** OFFSET (ZERO)  $> \emptyset$  **and** GAIN (SPAN)  $\div$  OFFSET (ZERO)  $< 5$

