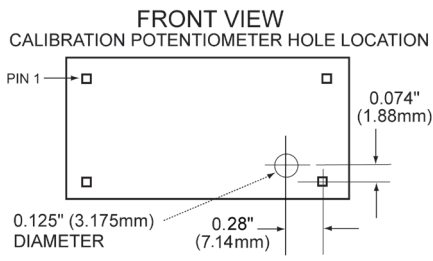
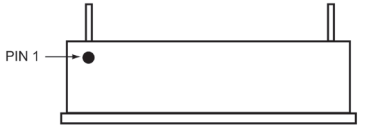
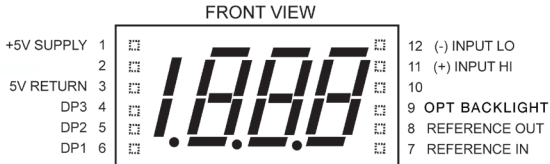
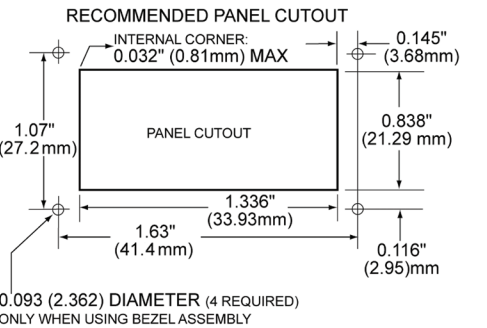
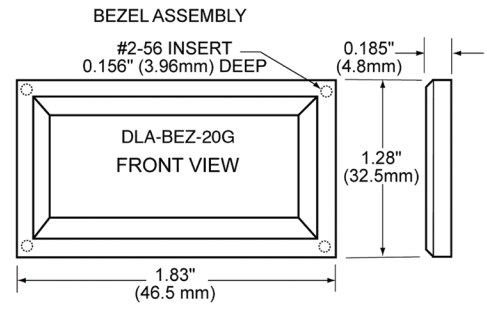
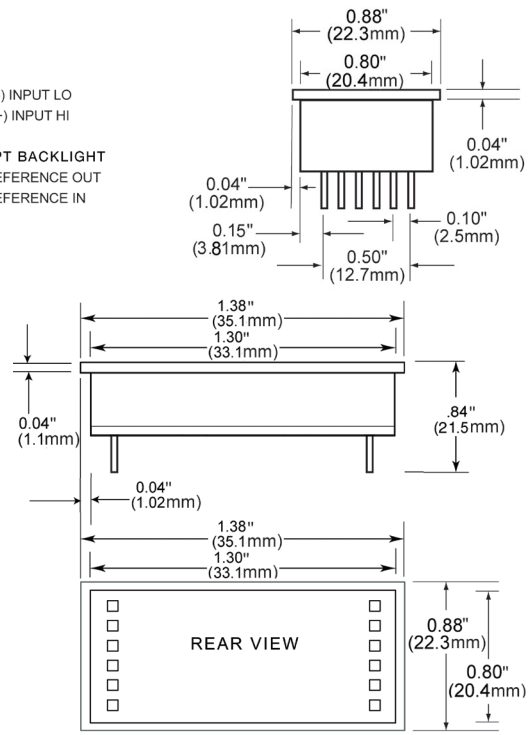


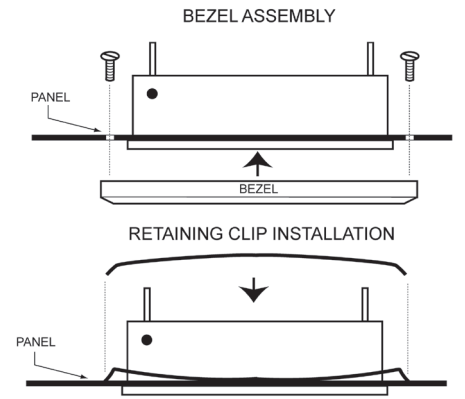
## WIRING & DIMENSIONS



To enable DPs (Pin 4-6) connect to Pin 3 (5V return)  
Pin 3 should be tied to Pin 12 for normal operation  
Connect Pins 7 & 8  
To enable optional backlight, connect Pin 9 to Pin 3

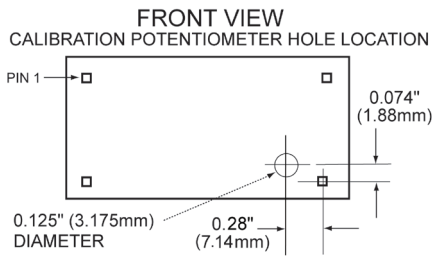
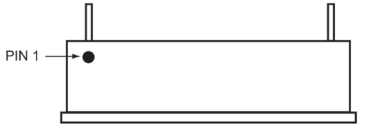
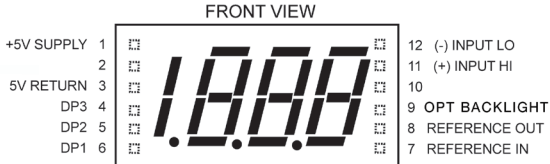


IS-055

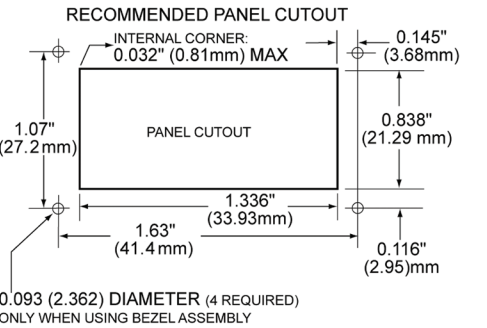
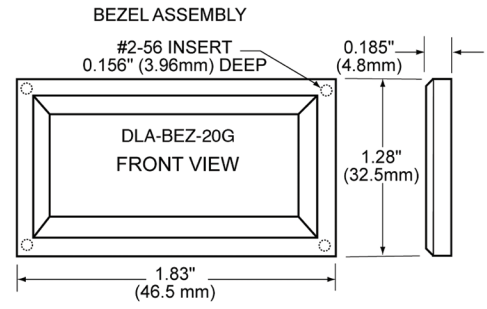
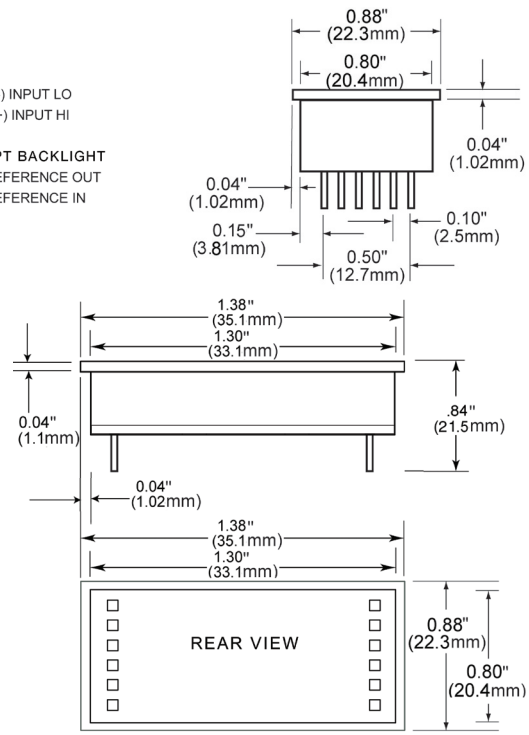


Rev. 2J17

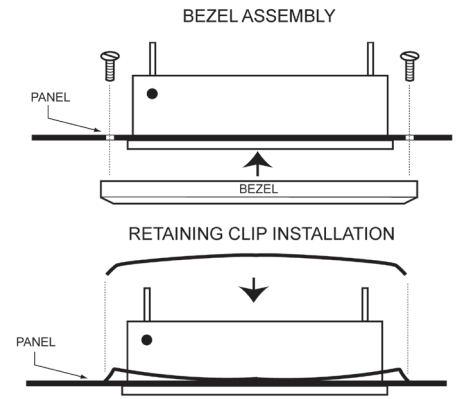
## WIRING & DIMENSIONS



To enable DPs (Pin 4-6) connect to Pin 3 (5V return)  
Pin 3 should be tied to Pin 12 for normal operation  
Connect Pins 7 & 8  
To enable optional backlight, connect Pin 9 to Pin 3



IS-055



Rev. 2J17